

11 OCT 1965

AGAH-A

**SUBJECT: Shoulder Sleeve Insignia for the U. S. Army Ryukyu Islands**

**TO: Commanding General  
U. S. Army Ryukyu Islands  
APO SF 96331**

1. The shoulder sleeve insignia originally approved 27 February 1950 for the Ryukyus Command is authorized for the U. S. Army Ryukyu Islands.

2. The insignia is described as follows:

On a 2 inch black disk a yellow torii all within a 1/8 inch yellow border.

3. This authorization is in accordance with the following:

a. Paragraph 137a(1)(e), Changes 4, AR 670-5, 12 October 1963.

b. Letter AGAO-O(M) 322, Tables of Distribution (19 Oct 56) DCSPER, 13 November 1956.

c. General Orders No. 144, U. S. Army Forces Far East and Eight U. S. Army, 29 December 1956, effective 1 January 1957.

JOSEPH M. MASSARO  
Major, AGC  
Executive Officer

HARRY D. TEMPLE  
Colonel, AGC  
Commanding

Mrs. Quist/mes

Riley/81634

Sims

Cy furnished: D&I Div.

Prep Date: 8 Oct 65

Concurrence: Chief, D&I Div. *CK*

ART DUE DATE: 45 Days

*JME*  
24 APR 1965  
*CS*  
RECORDS

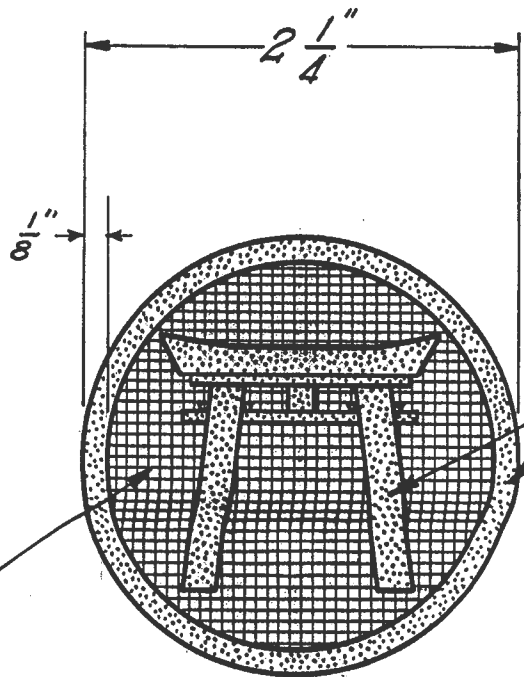
FOR SUBDUED INSIGNIA  
 BACKGROUND TO BE  
 BLACK, CABLE NO. 65018  
 BORDER AND CHARGE  
 TO BE OD # 66021

*Arthur E. Austin*  
 CHIEF, HERALDIC BRANCH

APPROVED FOR Q. M. G.

CHECKED BY *HAC*

DRAWN BY *p.v.s.*



BLACK  
 CABLE No. 65018

YELLOW  
 CABLE No. 65002

STITCH COUNT

3210 STITCHES (MINIMUM)  
 150/2 DENIER

DESIGNED FOR OVEREDGE STITCHING

FORMERLY: RYUKYUS COMMAND

REVISED 30 Mar '50 <sup>ck</sup> 20 Oct '65 10 Sept '68

SCALE: FULL

TITLE SHOULDER SLEEVE INSIGNIA

UNITED STATES ARMY, RYUKYU ISLANDS

DATE 27 FEB. 1950

DEPARTMENT OF THE ARMY  
 THE INSTITUTE OF HERALDRY

DRAWING NO. A-1-56

CANCELLED 15 MAY 1972



SHOULDER SLEEVE INSIGNIA FOR THE  
RYUKYUS COMMAND

On a 2 inch black disk  
a yellow torii all within are  
 $\frac{1}{8}$  inch yellow border.

O. Q. M. G., 28 FEBRUARY 1950  
*Approved*

*Arthur E. Dubois*

ARTHUR E. DUBOIS, CHIEF, HERALDIC BRANCH